

Electric motors 6AMY315

General-purpose squirrel-cage induction motors 6AMY315 series are intended for continuous operation with AC mains, rated voltage 380/660 V, frequency of 50 or 60 Hz. If necessary for a Customer, the motors can be produced for other rated voltage up to 690 V at 50 Hz or 60 Hz frequency.

Mounting methods IM1001 (B3), IM2001 (B3/B5), IM3011 (B5).

Electric motors are manufactured in climatic versions Y2, Y3; T2, YXJI1, OM5. Degree of protection of the casing and terminal box is IP54.

Cooling method is IC0141.

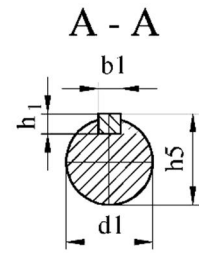
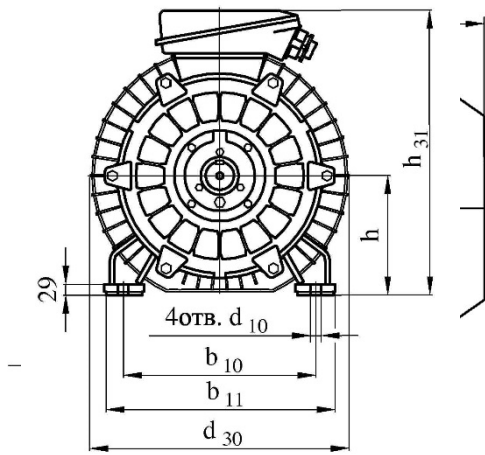
Electric motors are reversible.

Technical specification, mounting and coupling dimensions of electric motors are given in Table 1 and 2 and on Fig.2 and 2a.

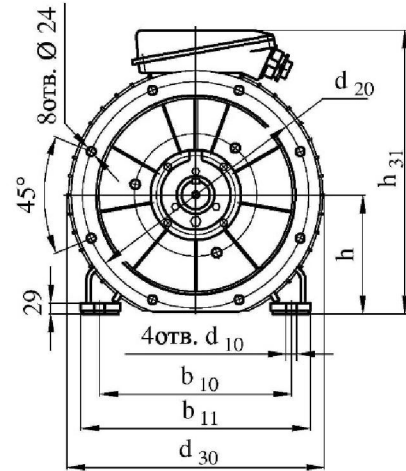
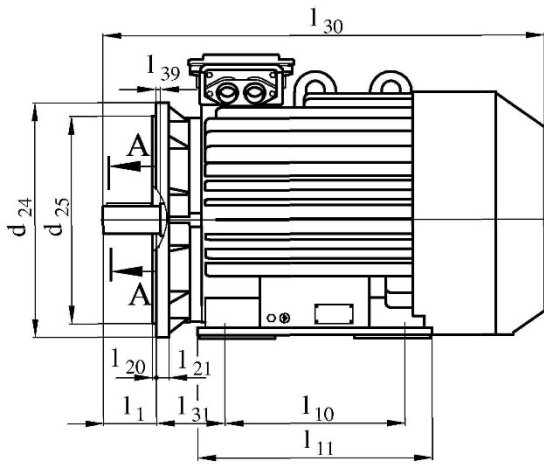
Table 1

Type of electric motor	Power, kW	Slip, %	Rotational speed r.p.m.	Efficiency, %	cos ϕ	Rated current at U=380 V, A	Mmax / Mrat	Mstart / Mrat	Mmin / Mrat	Istart / Irat	Weight, kg IM 1001
6AMY315S2	160	1,15	3000	94	0,89	291	3,3	1,7	1,0	7,1	950
6AMY315M2	200	1,1	3000	94,5	0,9	357	3,3	1,7	1,0	7,8	1115
6AMY 315S4	160	1,3	1500	94,5	0,88	292	3,3	2,6	1,0	6,5	955
6AMY315M4	200	1,3	1500	95	0,89	359	3,4	3,0	1,0	7,2	1100
6AMY 315S6	110	1,4	1000	94,3	0,89	199	2,8	2,0	1,0	6,0	895
6AMY315M6	132	1,3	1000	94,8	0,89	238	2,6	2,0	1,0	5,5	1015
6AMY 315S8	90	1,7	750	93,8	0,81	180	2,4	2,0	1,0	5,5	895
6AMY315M8	110	1,6	750	93,3	0,82	217	2,5	1,6	1,0	6,5	1015

Mounting and coupling dimensions for IM1001



Mounting and coupling dimensions for IM2001



Mounting and coupling dimensions for IM3011

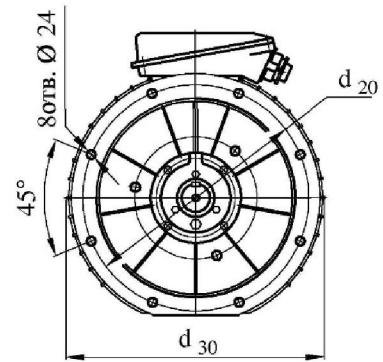
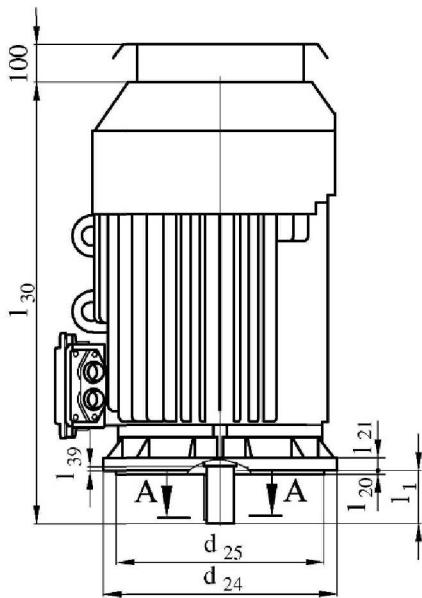


Figure 2 6AMY315

Type of electric motor	Overall dimensions				Mounting and coupling dimensions, mm													
	l ₃₀	h ₃₁	d ₂₄	d ₃₀	l ₁	l ₁₀	l ₁₁	l ₃₁	d ₁	d ₁₀	d ₂₀	d ₂₅	b ₁	b ₁₀	b ₁₁	h	h ₁	h ₅
6AMY315S2	1170	725	660	674	140	406	620	216	75	28	600	550	20	508	608	315	12	79,5
6AMY315M2	1270	725	660	674	140	457	670	216	75	28	600	550	20	508	608	315	12	79,5
6AMY315S4	1160	725	660	674	170	406	620	216	90	28	600	550	25	508	608	315	14	95
6AMY315M4	1240	725	660	674	170	457	670	216	90	28	600	550	25	508	608	315	14	95
6AMY315S6	1120	725	660	674	170	406	620	216	90	28	600	550	25	508	608	315	14	95
6AMY315M6	1200	725	660	674	170	457	670	216	90	28	600	550	25	508	608	315	14	95
6AMY315S8	1120	725	660	674	170	406	620	216	90	28	600	550	25	508	608	315	14	95
6AMY315M8	1200	725	660	674	170	457	670	216	90	28	600	550	25	508	608	315	14	95

Table 2

Dimensions: l₃₀=0; l₂₀=6; d₂₂=24; l₂₁=25.

Tolerances for mounting and coupling dimensions are according to GOST 8592.

On agreement with the customer electric motors can be manufactured with different mounting and coupling dimensions.