

## Electric motors 6AMY355S2

General-purpose squirrel-cage induction motors 6AMY355S2 are intended for continuous operation with AC mains, rated voltage 380/660 V, frequency of 50 Hz. If necessary for a Customer, the motors can be produced for other rated voltage up to 690 V at 50 Hz or 60 Hz frequency.

Mounting methods IM1001 (B3), IM2001 (B3/B5), IM3011 (B5).

Electric motors are manufactured in climatic version Y2. Degree of protection of the casing and terminal box is IP54.

Cooling method is IC0141.

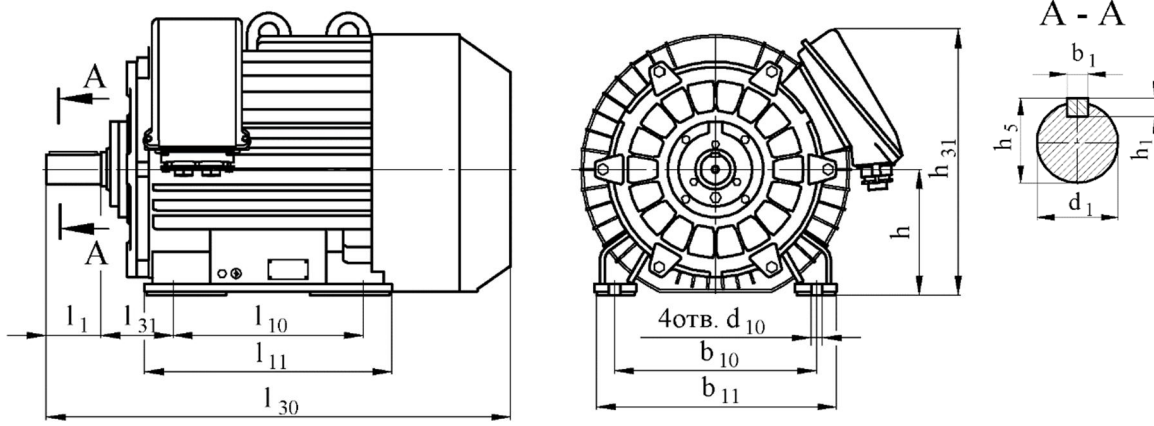
Electric motors are reversible.

Technical specification, mounting and coupling dimensions of electric motors are given in Table 1 and 2, on Fig.2 and 2a.

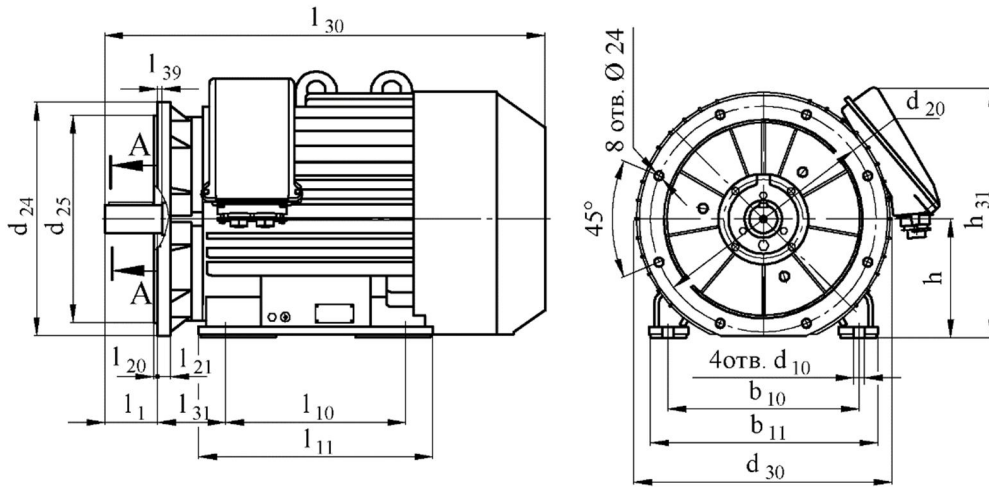
Table 1

Type of electric motor	Power, kW	Slip, %	Rotational speed r.p.m.	Efficiency, %	cos $\varphi$	Rated current at U=380 V, A	Mmax / Mrat	Mstart / Mrat	Mmin / Mrat	Istart / Irat	Weight, kg IM 1001
6AMY355S2	250	0,95	3000	94,5	0,9	445	3,5	1,7	1,0	8,1	1725

### Mounting and coupling dimensions for IM1001



### Mounting and coupling dimensions for IM2001



### Mounting and coupling dimensions for IM3011

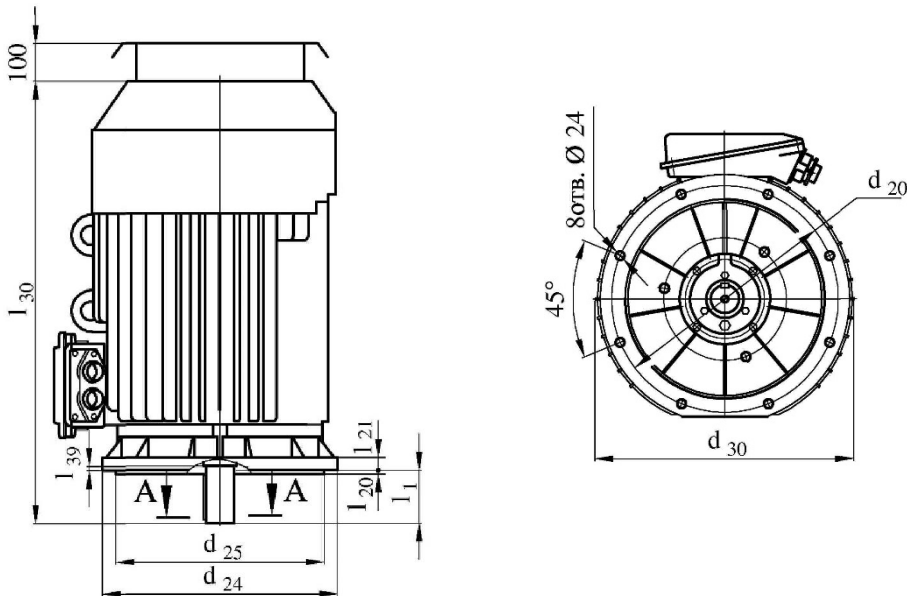


Figure 2a 6AMY355

Dimensions:  $l_{39}=0$ ;  $l_{20}=6$ ;  $d_{22}=24$ ;  $l_{21}=25$ .

Tolerances for mounting and coupling dimensions are according to GOST 8592.

Type of electric motor	Overall dimensions				Mounting and coupling dimensions, mm													
	$l_{30}$	$h_{31}$	$d_{24}$	$d_{30}$	$l_1$	$l_{10}$	$l_{11}$	$l_{31}$	$d_1$	$d_{10}$	$d_{20}$	$d_{25}$	$b_1$	$b_{10}$	$b_{11}$	$h$	$h_1$	$h_5$
6AMY355S2	1595	805	800	770	170	500	560	254	85	28	740	680	22	610	730	355	14	90

On agreement with the customer, electric motors can be manufactured with different mounting and coupling dimensions.