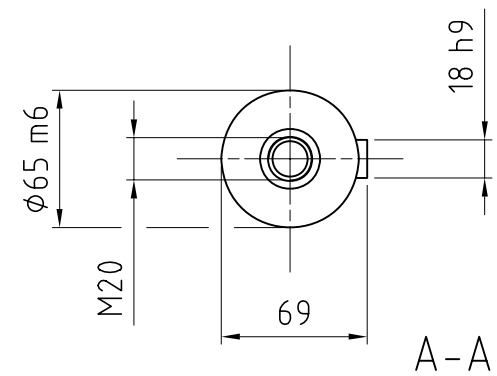
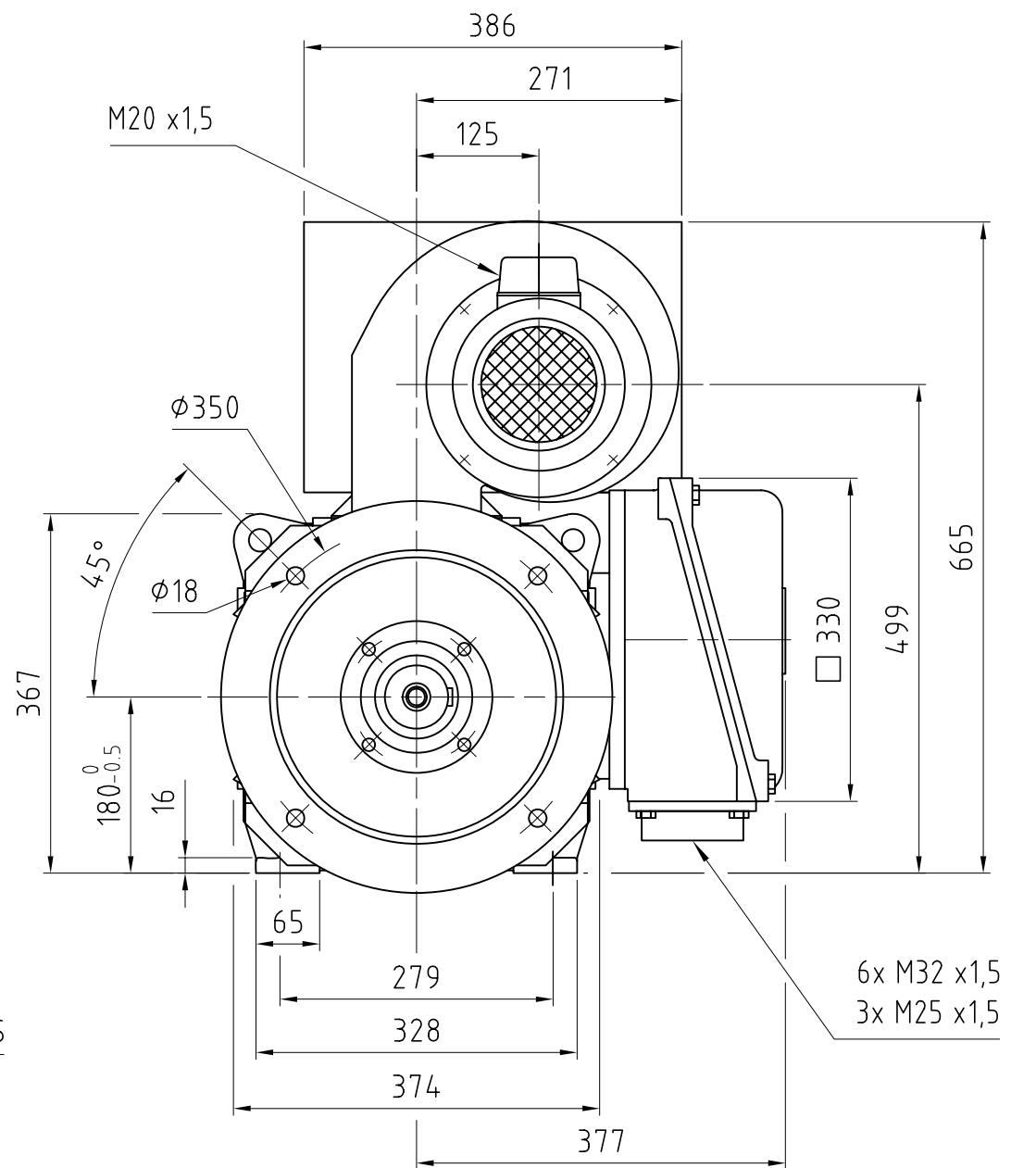
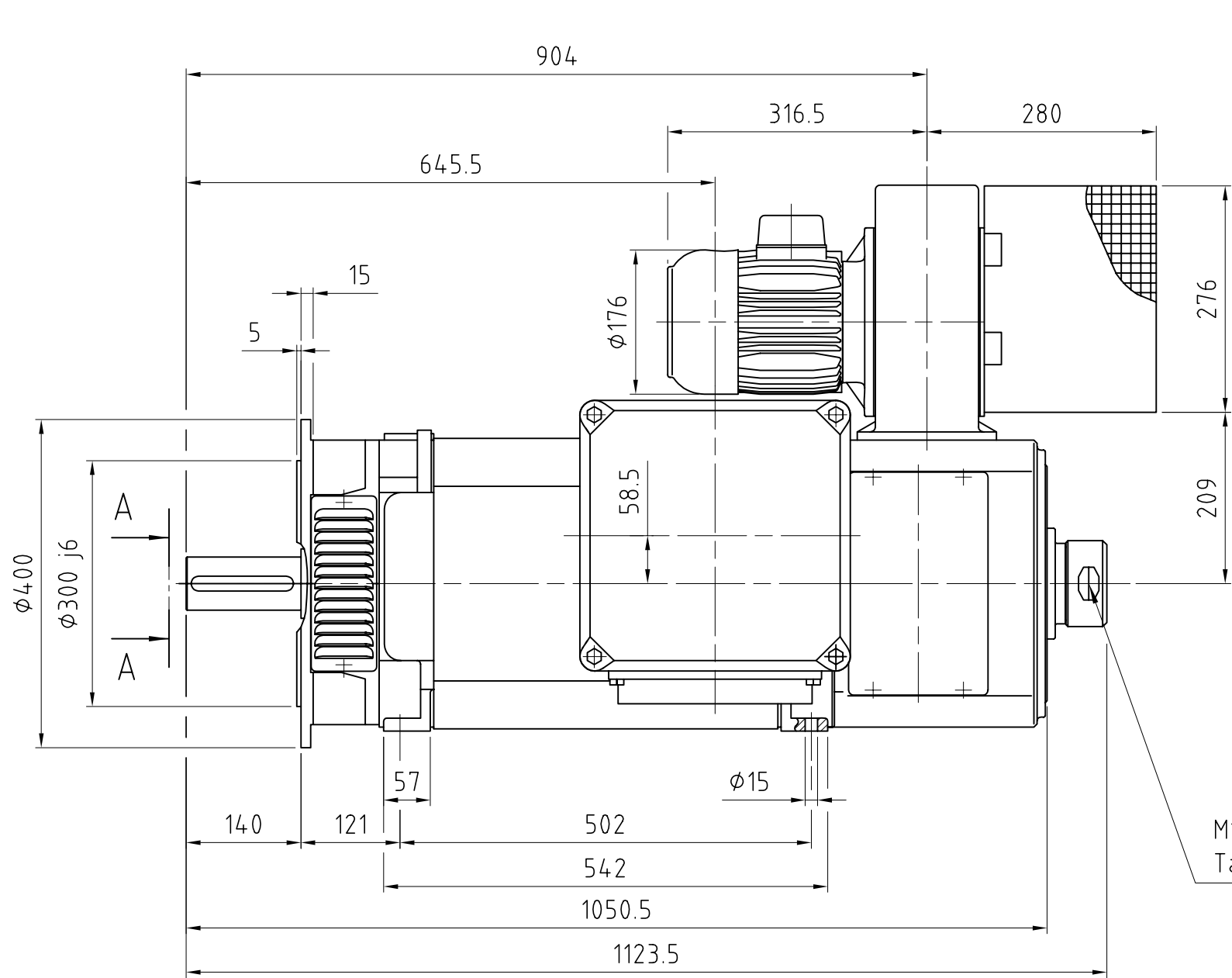


We reserve all rights in this document and in the information contained herein. Reproduction, use or disclosure to third parties without express authority is strictly forbidden.



IM 2001  
IP 23  
IC 06

Based on	Pcl 808430	Reg no 3HB	
Prepared 07-01-05	H Hällstrand		Dimension Print DMR 180MN
Approved 07-01-12	RUNE GUNNARSSON		Måttskiss DMR 180MN
Resp dept AP/MGT	Take over dept	Revision 1	Lang 82
ABB			Page 1
3BSM 016954-2			Cont